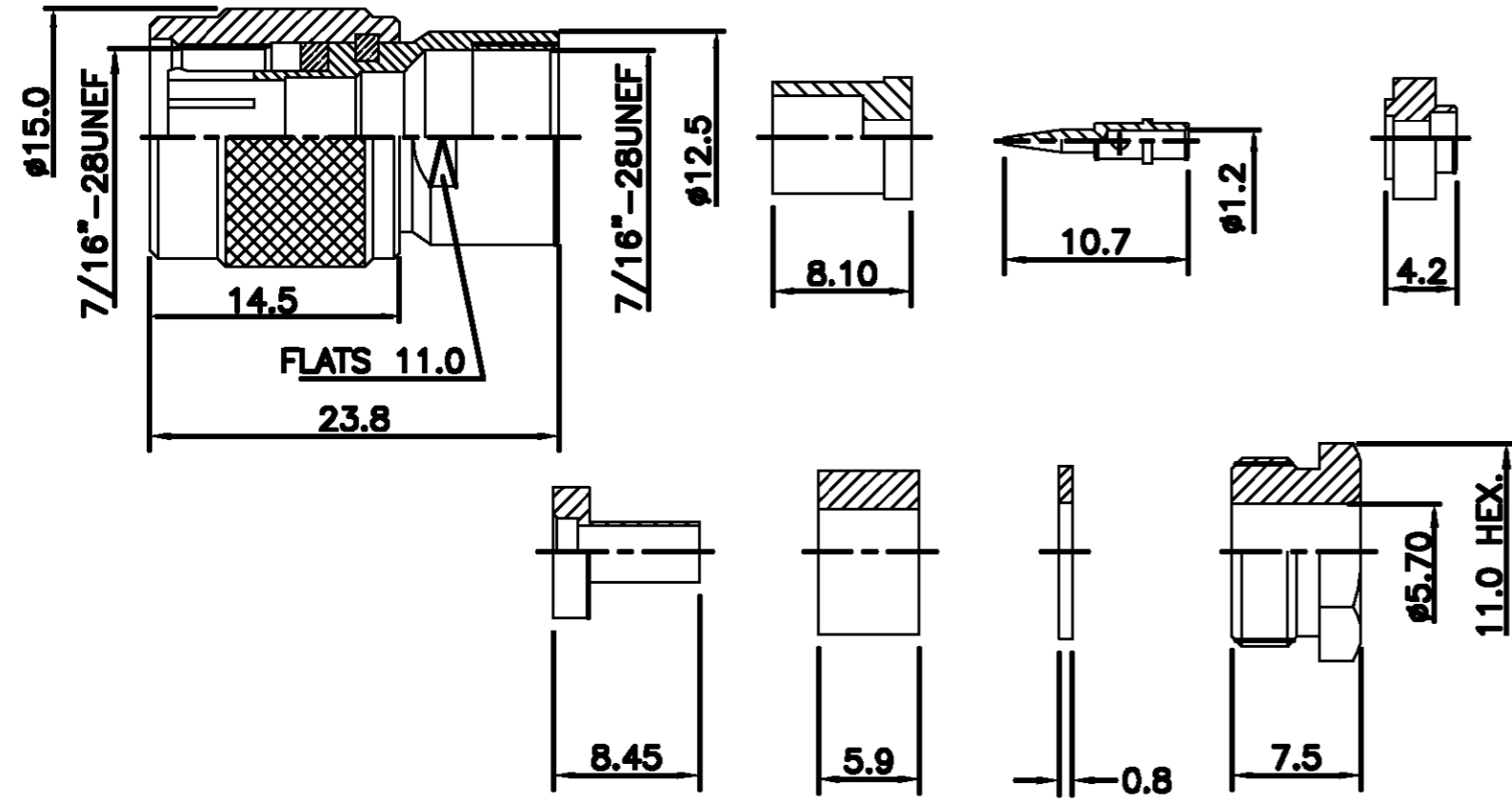


THIS DRAWING IS UNPUBLISHED. RELEASED FOR PUBLICATION 21-11-01.
 © COPYRIGHT 2001 BY TYCO ELECTRONICS CORPORATION. ALL RIGHTS RESERVED.

LOC	DIST	REVISIONS					
		P	LTR	DESCRIPTION	DATE	DWN	APVD
E	B	B		EB00-0091-02	18-03-02	AJB	R.G
		A		RELEASE FOR PRODUCTION	21-11-01	AJB	FKV



⚠ SUPPLIED SEMI-ASSEMBLED (PACK CONTAINS LOOSE PIECES)
 VIEW SHOWS ASSEMBLED CONNECTOR (CABLE OMITTED)
 FOR CABLE TO CONNECTOR ASSEMBLY GUIDANCE
 REFER TO TYCO INSTRUCTION SHEET I.S 411 - 3274

ALL DIMENSIONS ARE NOMINAL. FOR REFERENCE ONLY.

DIE SET PART NUMBER	N/A
HANDTOOL PART NUMBER	N/A
FOR USE ON CABLES	RG58C/U, 141A/U, URM43, 76, BELDEN 9907
CONNECTOR PLATING DETAIL	SILVER
CONTACT PLATING DETAIL	SILVER
DIELECTRIC MATERIAL	TEFLON
GASKET MATERIAL	WHITE SILICONE RUBBER

BAG	SINGLE ITEM	1-1478415-0
PACK TYPE	DESCRIPTION	PART NUMBER

THIS DRAWING IS A CONTROLLED DOCUMENT.		DWN A.BEKEN 21-11-01	Tyco Electronics Corporation Stanmore, Middlesex, HA7 4RS	
DIMENSIONS: MM	TOLERANCES UNLESS OTHERWISE SPECIFIED:	CHK R.G. 21-11-01	NAME TNC STRAIGHT PLUG SOLDER (PS) RG58 50 ohm	
		APVD F.W-KING 21-11-01	PRODUCT SPEC 108-3435	RESTRICTED TO
MATERIAL	FINISH	APPLICATION SPEC	SIZE A3	CAGE CODE 00779
		WEIGHT	DRAWING NO 1478415	SCALE NTS
		CUSTOMER DRAWING	SHEET 1 OF 1	REV B